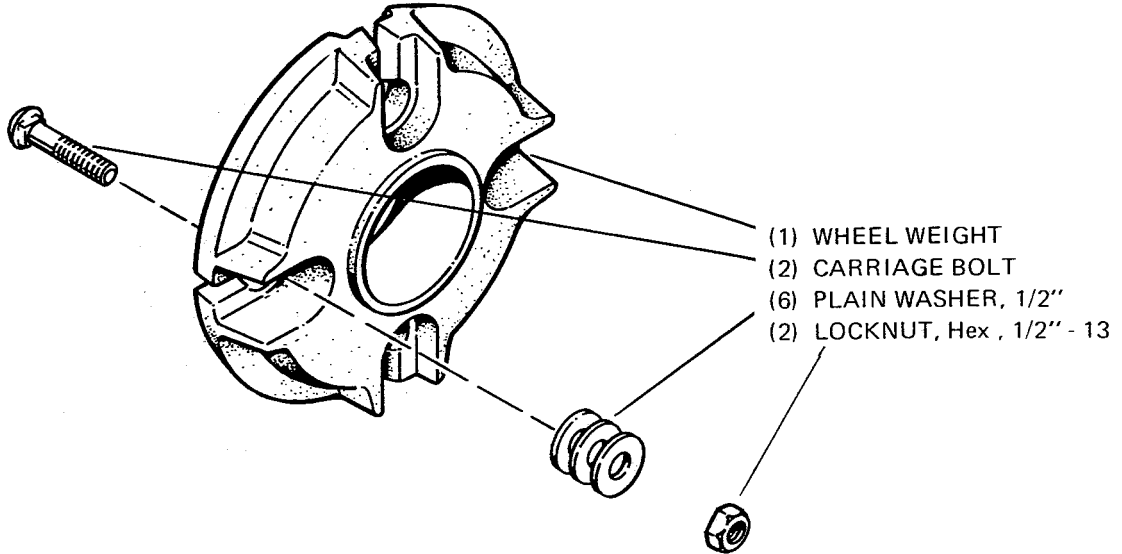


OPERATOR'S MANUAL  
WHEEL WEIGHT — MFG. NO. 1600240

Extend bolt from inside of wheel then  
attach with washer and hex nut.



FORM — 1651483  
PRINTED IN U.S.A.  
7410

OPERATOR'S MANUAL

EXTEND PROPER BOLT FROM INSIDE OF WHEEL THEN ATTACH  
WITH WASHER (s) AND HEX NUT.

(2) Bolt 3/8" x 3-3/4" Lg.  
(Small frame tractor  
rear wheel)

(1) Wheel Weight

(2) Bolt 3/8" x 5-1/2" Lg.  
(Large frame tractor  
front wheel)

(2) 3/8" Washer  
(2) 3/8" Hex Nut

FORM — 1651484  
PRINTED IN U.S.A.  
7410